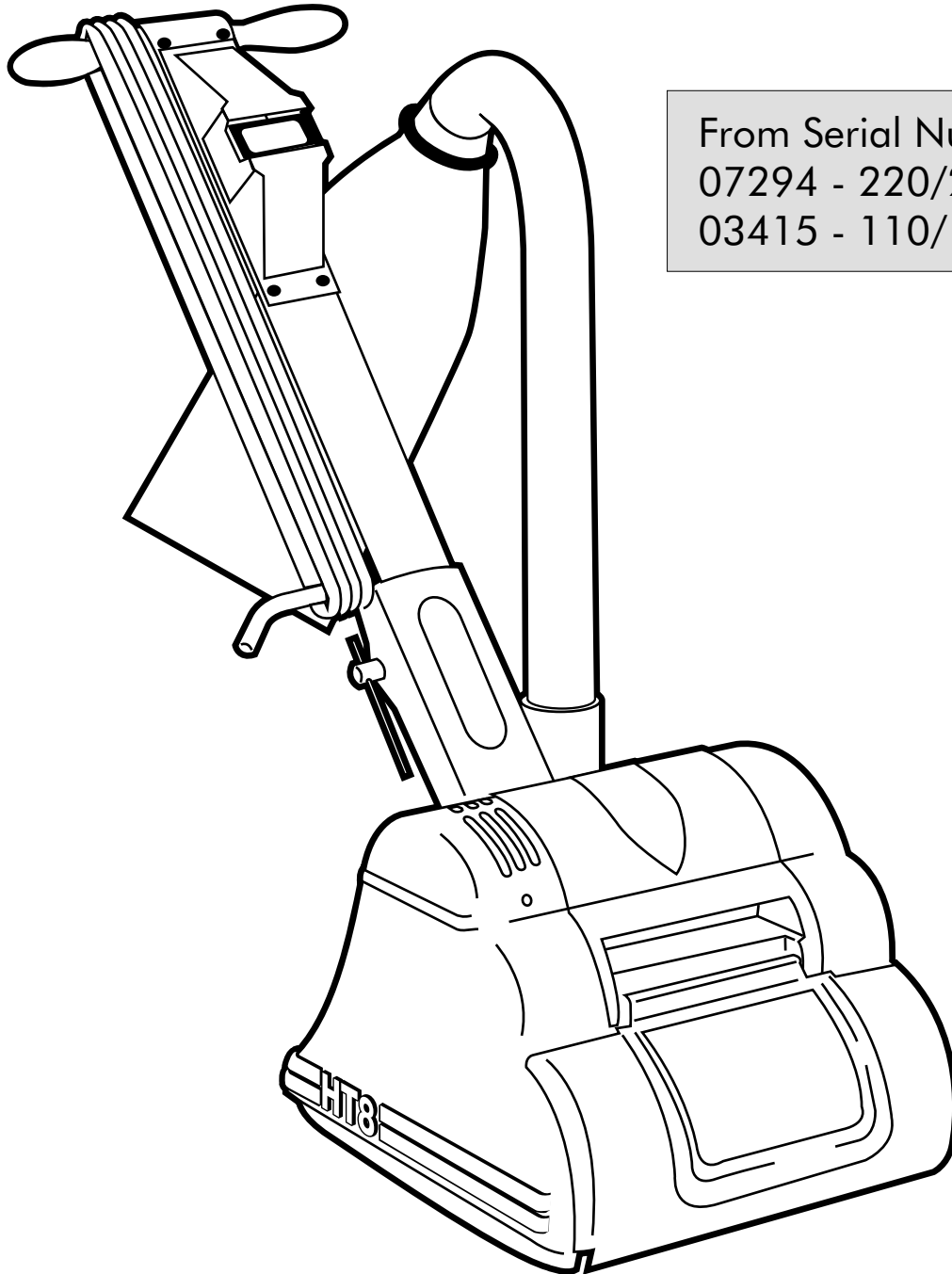


# FLOOR SANDER MODEL HT8-1.2



From Serial Number  
07294 - 220/240 Volt  
03415 - 110/120 Volt

# NORTH AMERICAN SAFETY INSTRUCTIONS



**WARNING:** *This floor sanding machine must be grounded.*

This floor-sanding machine shall be grounded while in use to protect the operator from electric shock. The machine is provided with a three-conductor cord and a moulded three-contact grounding type attachment plug to fit the proper grounding type receptacle. The Green (or Green and Yellow) conductor in the cord is the grounding wire. Never connect this wire to other than the grounding pin of the attachment plug.

This floor-sanding machine is provided with an attachment plug as shown in sketch A. It is intended for use on a nominal 120 volt circuit. If a properly grounded receptacle as shown in sketch A is not available, an adaptor as shown in sketch 'C' should be installed as shown in sketch B if the outlet box that houses the receptacle is grounded. Be sure to fasten the grounding tab with a metal faceplate screw.



**WARNING:** *Risk of explosion.*

Floor sanding can result in an explosive mixture of fine dust and air. Use floor-sanding machine only in a well-ventilated area free from any flame or match.



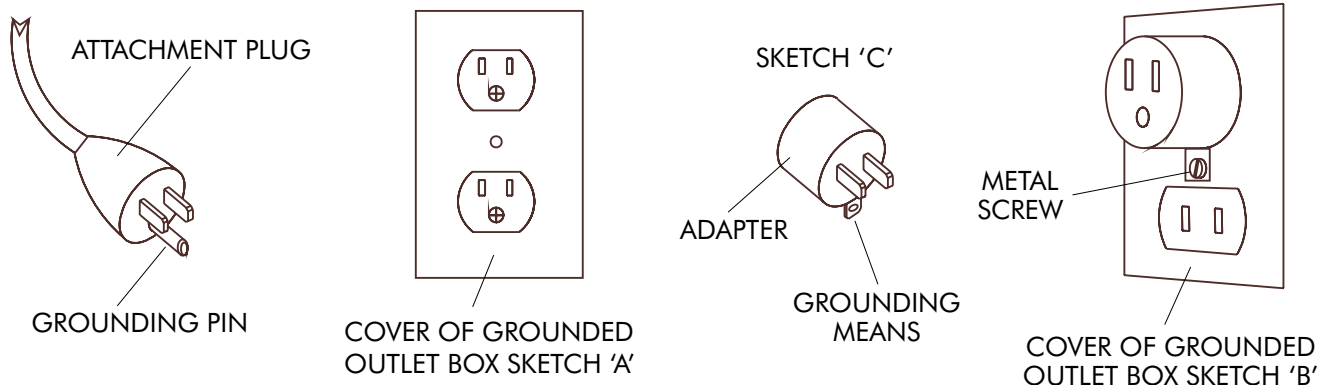
**WARNING:** *Risk of potential injury.*

Moving Parts - to reduce the risk of injury, unplug the machine before replacing abrasive sheets or carrying out any form of adjustment or servicing.

# USE AND APPLICATION

This machine is intended for commercial use connected with the laying and maintaining of wooden floors and decks.

These types of surfaces may be found both in commercial and household environments.



## CONTENTS

<b>WARNING</b>	i	Parquet & Block Floors	5
<b>MAINS CABLE WIRING - PLUG</b>	i	Between Coats of Finish (Varnish)	5
<b>SPARE PARTS</b>	1	<b>FLOOR SANDER ABRASIVE GUIDE</b>	6
<b>SPECIFICATION</b>	1	<b>SERVICE AND ROUTINE MAINTENANCE</b>	
<b>SAFETY</b>	1	General	7
<b>SET UP</b>		Visual Inspection	7
Assembly and Transport	2	Drive Belts	7
Installing Abrasive Disc	2	Dust Control System	7
<b>PREPARATION</b>	2	Lubrication	7
<b>OPERATION</b>	3	Care of Motor	7,8
<b>FLOOR SANDING TECHNIQUE</b>		Electrical Testing	9
Drum Floor Sander	4	Sanding Drum	10
Disc Floor Sander	4	<b>FAULT FINDING</b>	11
Orbital Floor Sander	4	<b>HT8-1.2 PARTS DRAWING</b>	12,13
Hand Sanding	4	<b>HT8-1.2 PARTS LIST</b>	14, 15
<b>FLOOR TYPES</b>		<b>HT8-1.2 CIRCUIT DIAGRAM</b>	16
Sanding Plank & Strip Floors	4	<b>FITTING A REPLACEMENT SWITCH</b>	16
Veneered, Laminated & Thinner Floors	4	<b>DECLARATION OF CONFORMITY</b>	17
		<b>SERVICE &amp; REPAIR</b>	18

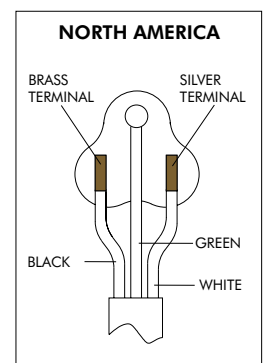
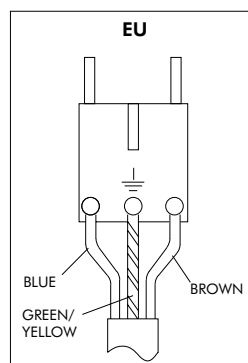
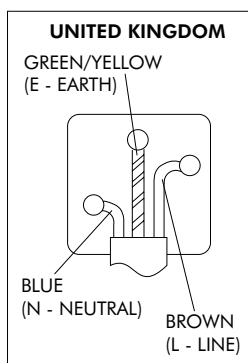
## WARNING

For safe operation of this machine, read and understand all instructions. Look for the 'warning/caution' symbol.



*This symbol means that if you do not follow the instructions injury can occur to the operator and damage to the machine and floor may result.*

## MAINS CABLE WIRING - PLUG



## SPARE PARTS

Use Hiretech genuine spare parts only for service and repair. Use of non-approved parts will void the product warranty. See the back cover of this manual for the terms and conditions of the Hiretech Limited Warranty.

**Hiretech® reserves the right to make changes or improvements to its products without prior notice.**

## SPECIFICATION

The HT8-1.2 Hiretech Floor Sander will sand hard and soft wood floors, cork and composition floors that require rapid sanding and leveling to a fine finish. A powerful motor drives a finely balanced sanding drum which is covered in a unique drum rubber providing a high quality finish to both hard and soft woods and other surfaces. Completely self contained with a high efficiency dust pickup the machine breaks down into three simple component parts for easy transport. With low voltage trip and overload protection the HT8-1.2 is a high performance sander suitable for professional and home owner use.

<b>Power Supply:</b>	110/120 V 50/60 Hz 220/240 V 50/60 Hz
<b>Off Load Current:</b>	110/120 V 8A 220/250 V 5A
<b>Average Load Current:</b>	110/120 V 15A 220/250 V 8A
<b>Noise:</b>	95 dBA at 1 metre (3' 3")
<b>Switch:</b>	Heavy duty low voltage trip and overload protection.
<b>Motor:</b>	Continuous heavy duty AC/DC self cooling 4 brush.
<b>Motor RPM:</b>	8,500
<b>Drum RPM:</b>	3,300
<b>Sanding Drum:</b>	8" (203mm) wide aluminum extrusion with moulded rubber drum cover.
<b>Guards:</b>	Injection moulded ABS.
<b>Drive:</b>	Non-slip toothed timing belts and gear cut pulleys.
<b>Moving Parts:</b>	Sealed for life ball bearings.
<b>Dust Pickup:</b>	Seated oversize vacuum fan with adjustable dust pan, disposable paper dust or cloth bag.
<b>Vibration:</b>	0.04 M <sup>2</sup> H Aeq8 (8 Hr. RMS )
<b>Weight:</b>	41.5kg (91.5lbs)
<b>Abrasive:</b>	495mm (19.5") total length x 203mm (8") wide sheet with notched and angled ends 24 to 120 grit.



Read the following Safety and Operational notes before using your HT8-1.2 Floor Team Floor Sander.

## SAFETY

1. For safety it is recommended that a residual current circuit breaker (ground fault interrupter) is used with this machine.
2. Check the operating voltage is correct and that the machine is switched OFF ('O') before connecting to the power supply.
3. Always disconnect from the power supply when changing the abrasive paper, servicing the floor sander, replacing the dust bag or leaving the machine unattended.
4. Always replace the dust bag (paper type) or empty the dust bag (cloth type) when the dust in the bag reaches the 'MAX' line or when the machine is left unattended.
5. Never dispose of or empty the contents of the dust bag into a fire or incinerator.
6. Never reuse the paper dust bag or use a non standard bag. Cloth bags must be in good condition with no holes.
7. Always wear a dust mask when using the floor sander, handling the dust bag or cleaning the machine after use.
8. Wear ear protection when using the floor sander.
9. Ensure adequate ventilation of the work area to avoid the formation of a combustible mixture of flying dust and air.
10. Never smoke when using or servicing the floor sander or when handling the dust bag.
11. Never expose the machine to rain or damp. Always store in a dry place.
12. Stop the floor sander immediately if damage to the machine or abrasive paper is suspected.
13. Never allow the power cable to come into contact with the sanding drum when the floor sander is in operation. If the power cable becomes damaged and the inner conductors are exposed switch the power OFF and remove the plug before attempting to move the machine. The cable must be replaced by an authorised dealer or qualified electrician using Floor Team® genuine spare parts only.
14. Keep hands, feet and loose clothing away from all moving parts of the machine.
15. Punch down or remove all nails, screws, tacks and other fixings from the floor before sanding to prevent contact with the sanding drum.
16. Never operate the machine without all the guards in place.
17. Keep children and pets clear at all times.
18. If the machine should fail to operate refer to the Fault Finding Guide on page 10.

## SET UP

### Assembly and Transport

1. The HT8-1.2 breaks down into three component parts, the main body, handle assembly and dust tube for easy handling and transport. To assemble loosen the Clamp Bracket Ref.21 and slide the handle assembly into the Handle Bracket Ref.51. Adjust the height of the handle so that your arms are slightly bent when standing upright behind the machine. This will provide you with maximum control in operation. Tighten the clamp bracket firmly. Always ensure that the clamp bracket is tight, check periodically during use.
2. Connect the Cable Handle Ref.20 to the Body Twist Lock Ref.24 at the rear right hand side of the floor sander body. Align the plug with the pins, push in and twist clockwise to lock.
3. Slide the Exhaust Tube Ref.59 into the Exhaust Bracket Ref.56 and push fully home.
4. Fit a paper dust bag following the instructions printed on the bag. If a cloth bag is used ensure that it is tied securely around the dust tube neck and that the bag is in good condition with no holes.
5. To prepare the floor sander for use place the machine on the floor and remove the main cable from its storage position on the handle assembly. Check that the cable is in good condition and that all fittings are secure.
6. To dismantle the floor sander reverse procedure 1 to 5 above.
7. Always ensure that the floor sander is secure and cannot move when being transported in a vehicle. The floor sander is heavy. Take care when lifting and carrying the machine.

### Installing Abrasive Paper

1. Ensure the power cable is disconnected from the power supply.
2. Tip the floor sander back so that it rests on the handle.
3. Lift the Drum Guard Ref.35 and turn the Drum Ref.168 to expose the Paper Clamp Bar Ref.175. Take care not to trap your fingers when turning the drum.
4. Loosen the 2 Paper Clamp Screws Ref.174 with a coin or suitable screw driver so that the clamp bar raises about 1/2" (12mm) only. DO NOT remove the screws completely.
5. Select a suitable grade of abrasive paper (see Abrasive Paper Guide on page 5). To help install course grit abrasive papers draw the smooth side

(back) of the paper over the edge of a work bench to make it curl.

6. Kneeling in front of the machine place one end of the abrasive paper under the clamp bar so that the notches align with the clamp bar screws and clamp bar.

Carefully holding the abrasive paper in place rotate the drum 1 revolution. Tuck the other end of the abrasive paper under the clamp bar and use both hands to squeeze the sheet tight around the drum. Make sure it is square to the edges of the drum with no overlap and both ends of the abrasive sheet are equal distance under the paper clamp bar.

Firmly tighten the two clamp bar screws. Check the abrasive sheet is skin tight around the drum. If in doubt repeat the above procedure. Loose or damaged abrasive sheets will tear during sanding and can be expensive to keep replacing. Damage may also occur to the floor and floor sander.

7. Lower the drum guard and stand the machine up. The floor sander is now ready for use.

Note: Use Floor Team™ genuine floor sander abrasives for the best sanding performance and finish. They will also reduce the risk of tearing due to poor fit which is a common problem with generic and non standard abrasives.

## PREPARATION

1. Where possible remove all furniture from the area or room. The HT8-1.2 Floor Sander features an efficient dust pickup, however, some dust will escape.
2. Remove all tacks, staples and other unwanted fixings from the floor. Failure to do so will result in damage to the abrasive paper and sanding drum.
3. Punch all nails below the surface of the floor using a suitable nail punch and hammer. Any screws used to fix boards should be counter sunk below the surface. During sanding any nails or screws that become exposed must be punched or counter sunk further.
4. Firmly fix all loose boards or blocks.
5. Remove heavy wax, grease and dirt deposits by hand.
6. Sweep and vacuum the floor thoroughly to remove dirt and discarded fixings.
7. Ensure good ventilation by opening windows.

## OPERATION

1. Move the floor sander to the location of your work.
2. Connect the power cable to a suitable power supply ideally located behind or to one side of the machine and work area.
3. Wear a dust mask and ear protection.
4. Hold both handles with the main cable held in a small loop in the left hand and then passed over the left shoulder.
5. Apply light downwards pressure on the handles to tip the floor sander back to raise the sanding drum off the floor. Switch on by pushing the ON/OFF switch to the 'I' position.



*CAUTION - the HT8-1.2 Floor Sander is a powerful machine. Always ensure that you have a firm grip before switching on.*

6. Now move the floor sander slowly forward and at the same time release the pressure on the handles to gently lower it so that the sanding drum comes into contact with the floor.
7. Guide the floor sander in a straight line at a slow walking pace. Do not force or hold the floor sander back. Allow the machine to do the work and always move at an even pace.
8. At the end of the pass while still moving forward tilt the floor sander back so that the sanding drum comes clear of the floor. Now moving backwards lower the floor sander again and pull it backwards over the area just sanded moving at a steadily even pace. Take care to ensure that the power cable is kept clear of the sanding drum at all times. At the end of the sanding pass and while still moving backwards tilt the floor sander back so once again the sanding drum comes clear of the floor.

Move the machine over so that it overlaps the area just sanded by 3" (75mm) and start to sand the next pass repeating the above technique.



*CAUTION - to prevent damage to the floor surface, work piece or machine follow these rules.*

- i. Always ensure that the floor sander is moving when in operation and the sanding drum is in contact with the floor.
- ii. Never lift the back of the machine when sanding.

- iii. Never apply pressure to try to increase the rate of sanding. Damage to the floor and machine will occur.
  - iv. Never bounce or drop the floor sander on to the floor. Always lower the machine gently.
  - v. Never dwell in one place, move steadily at all times.
  - vi. Never allow the power cable to come into contact with the sanding drum.
9. When the dust in the dust bag reaches the 'MAX' line stop sanding. Disconnect the power cable from the power supply and remove the paper dust bag. Turn the top of the paper dust bag over to stop the escape of dust and dispose of into a suitable container. Never reuse the paper dust bag or empty it or dispose of it into a fire. If a cloth bag is used empty into a suitable container being careful to contain the dust. Do not dispose of the contents into a fire.
  10. Fit a new paper dust bag or refit the cloth bag. Reconnect the floor sander to the power supply and continue sanding.
  11. When taking a break from work disconnect the power cable from the supply, remove and dispose of the paper dust bag, or empty the cloth bag as detailed in 8. above. Never leave the floor sander unattended with the dust bag in place containing dust.
  12. On completion disconnect the power cable from the supply. Remove and dispose of the paper dust bag, or empty the cloth bag as detailed in 8. above. Stow the cable on the handle assembly and if required dismantle for transportation. Carry out maintenance as recommended in Maintenance and Servicing.



*DANGER - never leave the floor sander unattended with dust in the dust bag. Always remove the dust bag and dispose of into a suitable container.*

## FLOOR SANDING TECHNIQUE

**HT8-1.2 Floor Sander (Drum)** - a powerful floor sander designed for the rapid leveling and sanding of all types of wood flooring excluding thin laminated or veneered floors. Load the sander with abrasive making sure that it is skin tight around the drum. Loose sheets will tear. Place the sander on the right hand wall (unless you are making an angled cut on uneven floors) with about two thirds of the floor in front of you. Start the sander with the drum off the floor then walk forward at an even pace and ease the drum on to the floor. As you near the end of the pass, gradually raise the drum off the floor. Practice this technique before turning on the sander.

Cover the same path you made on the forward cut by pulling the machine backwards and easing the drum to the floor as you begin the backward pass until you reach the original starting point, then ease the drum off the floor.

When two thirds of the floor is sanded, turn the floor sander around and sand the remaining third in the same way. Overlap the one third area by 0.6 to 0.9 meters (2 to 3 feet) with the two thirds area to blend the two areas together.



**WARNING** - never bounce the sanding drum or dwell in one place as this will sand dips and hollows in the floor.

**HT7-2 Disc Floor Sander (Edger)** - a powerful disc floor sander designed for sanding along the edges of a floor without damaging the baseboards or moldings. Also suitable for smaller areas where the HT8-1.2 Floor Sander will not reach like stair treads and closets load the abrasive disc making sure the retaining bolt is tight. Start the edger with the disc off the floor then lower the disc to the floor as you move the sander. Work progressively moving the sander in a sweeping motion from side to side.

**HTF-2 Floor Sander (Orbital)** - a orbital action floor sander designed for re-finishing, sanding between coats of varnish and re-surfacing floors in good condition. load the abrasive sheet, pad or strip. Start the sander, move immediately and sand in the direction of the grain using the same technique as the drum floor sander. For difficult to reach areas use the disc floor sander with a fine grit abrasive, or sand by hand.

**Hand Sanding** - to sand difficult to reach areas scrape and sand the floor by hand. Use a scraper to remove old finishes, always scraping in the direction of the grain, and then sand by hand using the same grit abrasive as you finished with when machine sanding. See Floor Sanding Technique diagrams on page 5.

## FLOOR TYPES

### PLANK & STRIP FLOORS

**Old floors in good condition** - when the floor is in good condition - no uneven edges, cupping or crowning of planks and strips - and you want to re-surface the floor, sanding back to new wood, start sanding in the direction of the planks or strips - with the wood grain. Start with a medium grit abrasive. Complete the first cut with the HT8-1.2 Floor Sander then sand up to the baseboards and door thresholds with the HT7-2 Disc Floor Sander, using a medium grit abrasive, blending the edges in with the main floor area. Sweep the floor. Using a medium/fine grit abrasive, sand the main floor area with the drum sander and then complete the floor with the edger using a fine grit abrasive. Sweep the floor. Finish sanding the main floor area with the drum floor sander using a fine grit abrasive. If the floor is in particularly good condition (level with no deep scratches or blemishes) you may re-surface the floor using the HTF-2 Floor Sander, however, as the sanding action of this machine is less aggressive than the HT8-1.2 Floor Sander the job will take more time.

**Uneven floors** - when the floor is uneven sand diagonally at 45° across the room in both directions using the HT8-1.2 Floor Sander with a coarse grit abrasive. Only make one cut on both diagonals, this will achieve a basic level. Now complete the floor as for a level strip or plank floor. Use the same grit abrasive as was used on the 45° cut for the first cut parallel to the planks or strips.

**Floors with an existing finish** - when re-finishing a floor remove as little of the existing surface as possible. If the old finish is worn and the floor is generally in good condition use the HTF-2 Floor Sander with Floor Team™ abrasive pads and strips which have been especially designed for re-finishing floors. These will maintain the integrity of any stain used to colour the wood and prepare the surface for a new coat of finish. If the floor is badly marked and scratched and has to be sanded back to new wood use the HT8-1.2 Floor Sander and HT7-2 Disc Floor Sander. Always try a medium grit paper first, particularly on a diagonal cut. If 90% of the old finish is removed and the floor is generally leveled, you do not need to use a coarse grit abrasive.

### VENEERED, LAMINATED & THINNER FLOORS

Use the HTF-2 Floor Sander for veneered and laminated floors or thinner floors that may have been subjected to repeated sanding. The HTF-2 will remove old surface finishes and prepare the floor for re-finishing. Sand the floor using the same method as a strip, plank, or parquet floor. If the floor has deeper scratches or marks these should be sanded

out by hand and blended in with the main floor. To check the wood depth in the floor remove a baseboard or molding from around the edge of the floor. This should provide access to the edge of the floor for inspection.

### PARQUET & BLOCK FLOORS

The grain of the wood will run in a number of directions so sand the floor in the direction of the main source of natural light in the room. If there is no source of natural light sand in the direction of the longest side of the room or, if the room is square, in the direction the furniture is laid out and how people normally use and view the room.

This technique will help mask any imperfections in the

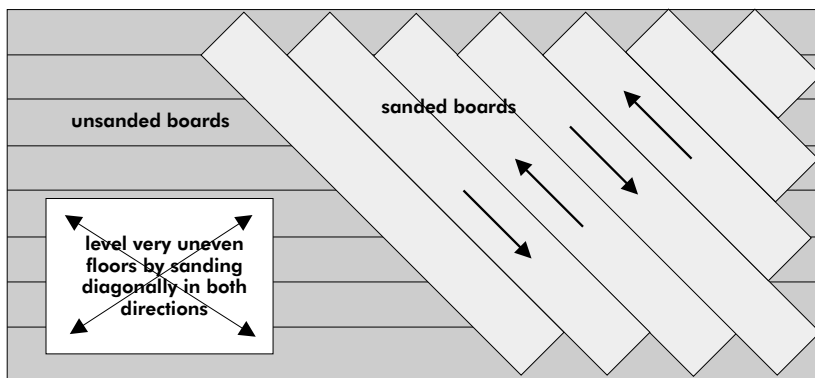
floor. Complete the sanding operation as detailed for plank or strip floors.

### BETWEEN COATS OF FINISH (VARNISH)

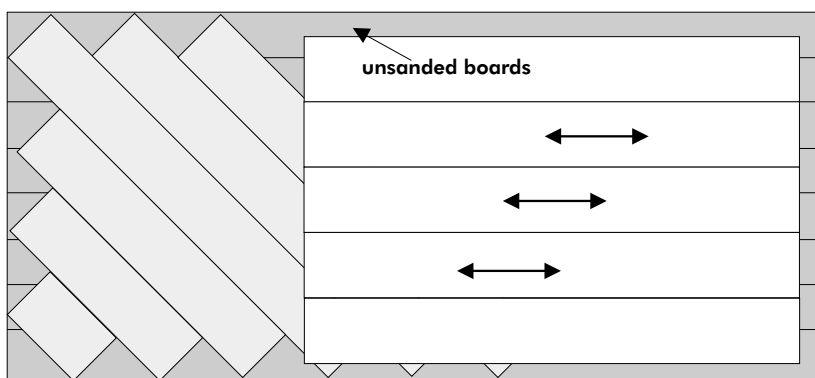
Use the HTF-2 Floor Sander to sand between coats of floor finish, particularly when using water based varnishes. These types of finishes tend to raise the wood grain when first applied to raw wood. Allow each coat of varnish to dry completely following the manufactures directions. Use Floor Team™ abrasive pads to sand between each coat of varnish. The fine abrasive pads will remove light brush/applicator marks and raised grain while maintaining the integrity of the coat of varnish applied

### FLOOR SANDING TECHNIQUE

#### Level uneven floors.



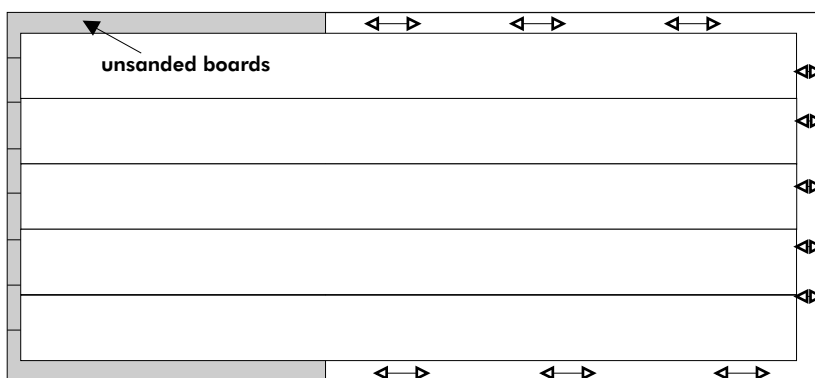
#### Sand main floor area.



**Plank and Strip Floors** - sand in the direction the boards are laid, with the wood grain.

**Parquet and Wood Block Floors** - sand in the direction of the main source of natural light. If there is no natural source of light, sand in the direction of the longest side of the room. If the room is square, sand in the direction the furniture is laid out and how people normally use the room.

#### Sand and blend edges in with main floor area.



## FLOOR SANDER ABRASIVE GUIDE

### HT8 FLOOR SANDER & HT7 DISC FLOOR SANDER (EDGER)

Abrasive Paper Grade	Floor Type and Condition
<b>Grit 24 Open Coat</b> (Coarse non-clogging)	For removing surface coatings from old floors such as varnish, stains and wax polishes. For the rapid sanding and removal of scratches and marks. Sanding level the joints of sub-flooring like particle board and masonite.
<b>Grit 24</b> (Coarse)	For the rapid sanding and removal of scratches and marks. Sanding level the joints of sub-flooring like particle board and masonite.
<b>Grit 40 Open Coat</b> (Coarse/Medium)	For removing surface coatings from old floors such as varnish, stains and wax polishes. For the rapid sanding and removal of scratches and light marks. Sanding level the joints of sub-flooring like particle board and masonite.
<b>Grit 40</b> (Coarse/Medium)	For the rapid sanding and removal of scratches and light marks. Sanding level the joints of sub-flooring like particle board and masonite.
<b>Grit 80</b> (Medium)	For first sanding of new level wood floors. First sanding after sanding with a drum sander.
<b>Grit 100</b> (Medium/Fine)	Intermediate sanding of all types of wood floor.
<b>Grit 120</b> (Fine)	For final sanding of all types of wood floor. First sanding of cork or composition floors. For sanding between coats of solvent based and 2 pack varnishes.

DO NOT OVER-SAND USE ONLY AS HEAVY GRADE ABRASIVE AS IT TAKES TO DO THE JOB. PROGRESS FROM FIRST GRADE USED THROUGH FOLLOWING GRADES TO REMOVE ALL VISIBLE SANDING MARKS. DO NOT MISS A GRADE.

## FLOOR SANDER ABRASIVES

	HT8/DU8 FLOOR SANDER SHEET 50/CASE	HT7/SUPER 7 EDGER DISC FIBRE BACKED 25/CASE	HT7/SUPER 7 EDGER DISC PAPER BACKED 25/CASE	HTF FLOOR SANDER SHEET ADHESIVE BACKED 50/CASE	HTF ABRASIVE PAD 20/CASE
24 Grit Open Coat	01001	-	01043	-	-
24 Grit	01002	01026	01044	-	-
40 Grit Open Coat	-	-	-	-	-
40 Grit	01003	01027	01045	01750	-
60 Grit	-	-	-	01751	-
80 Grit	01004	01028	01046	01752	-
100 Grit	-	01029	-	-	-
120 Grit	01005	-	-	01754	-
180 Grit	-	-	-	01756	-
Abrasive Pad 280G/Backing Pad	-	-	-	-	01769

## SERVICE & ROUTINE MAINTENANCE



*CAUTION - maintenance and repairs must be carried out by authorised personnel only. To prevent injury, always remove the power cable from the power supply before undertaking any work on the machine. Do not operate the floor sander unless it is fully assembled and all guards are in place. Use Floor Team™ genuine spare parts only.*

### General

1. Always make a list when first examining the machine, to remind you of parts or action needed on completion of repair/service.
2. The HT8-1.2 is subject to high speeds. All screws should be fitted using a suitable thread lock compound.
3. On completion of any work or service on an electrical tool or appliance statutory safety tests must be carried out by a competent person and recorded (see Testing for Electrical Safety page 8).
4. The HT8-1.2 needs no lubrication during routine servicing.
5. Always ensure that the electrical supply is disconnected before starting any routine servicing or repair.

### Visual Inspection

1. Check that the drum guard Ref.35 is in good condition and functioning correctly. Ensure that the Warning Label Ref.36 is present and legible.
2. Check all other guards and mechanical parts are in good condition.
3. Examine the power cable Ref.39 and the handle cable Ref.20. If the outer insulation shows the slightest of abrasions or the inner conductors are exposed, then the cable must be replaced. The cable must not be repaired with tape or insulation sleeve
4. Examine both the mains plug and the interconnecting socket, Body Twist Lock Ref.24. The plugs must be opened and examined (see Electrical Testing page 8).
5. If a cloth type bag is in service check the condition, old clogged cloth dust bags make for an inefficient dust pickup.
6. Ensure that all labels are present and in good condition.

### Drive Belts

1. To examine the condition of the Drive Belts Ref.164 and Ref.165 remove the four screws Ref.83 and the Belt Guard Ref.81.
2. Lift the Fan Belt Ref.165 while rotating the pulley remove the fan belt. Repeat for the Drum Belt Ref.164.



*CAUTION - take care to avoid trapping your fingers when removing or replacing the drive belts.*

3. Examine the pulleys for wear, worn or damaged pulleys should be replaced
4. To reduce the instance of belt breakage, examine the drive belts, look for cracks or fraying and replace if necessary with new belts. To replace reverse the above procedure taking care to avoid bending the belts tighter than the pulley diameter as this can result in damaged belts. Refit the belt guard.

### Dust Control System

1. For efficient dust pick up ensure that cloth type dust bags are clean and unclogged and that the intake is clear and properly adjusted.
2. Turn the machine on to its side and loosen the three Screws Ref.71 and remove the Dust Shoe Ref.72 and clear any obstruction. The grit from the abrasive paper can wear away the leading edge of the dust shoe, if this has occurred then file or grind the leading edge level before refitting.

Install the dust shoe ensuring that the clearance between the shoe and the drum is maintained at 3/8" (10mm).

### Lubrication

1. The HT8-1.2 is completely lubricated. The bearings are sealed and do not require lubrication. In the unlikely event that a bearing requires replacement use a Floor Team™ genuine spare part only as the grease contained in these bearings is special. A standard bearing is not suitable and may result in further damage.

### Care of Motor

1. The motor must be kept free from grease and dust.
2. The motor brushes must be checked regularly, inspect the brushes every three months or every 500 hours of use, whichever comes first.
3. Replace ALL FOUR motor brushes when any one brush has worn to 12mm ( $15/32$ " ) or less in length. Brushes MUST slide freely in the brush holders.

4. To inspect and replace motor Brushes Ref.104, with the brush block assembly removed.
    - i. Remove the three Screws Ref.82 and remove the Wall End Guard Ref.84 to expose the motor brush assembly.
    - ii. Remove the four retaining Screws Ref.31 from the Shield Wall End Ref.30, insert two of the screws into the 'jacking holes' situated adjacent to the countersunk retaining holes.
    - iii. Carefully tighten these screws until the shield wall end is jacked clear of the outer casting. Withdraw the shield-wall end.
    - iv. With the brush block assembly complete and the connecting leads still attached. You will note that as the brush block assembly is withdrawn the brushes spring towards the center and often the brush springs fall clear as the brushes are no longer at the height to retain them. Take care not to lose any springs.
    - v. To remove a brush spring with a brush in the operating position push the brush spring down and towards the brush and lift out.
    - vi. Using a cross recess screwdriver remove the four brush shunt (pigtail) retaining Screws Ref.105 and lock Washers Ref.100.
    - vii. Remove the four brushes. Remove the two 'jacking' screws.
    - viii. Thoroughly clean the brush assembly and housing using a soft brush and a suitable vacuum cleaner.
    - ix. Inspect the four brushes for damage or wear and if any one brush is found to be damaged or worn to a length of 5/8" (16mm) or less in length then replace all four brushes.
    - x. When replacing brushes ensure free movement in each brush holder and fit the brush with the shunt (pigtail) towards the field coil. Ensure that each brush shunt is connected securely with the screw, and lock washer, two spare screws and lock washers are provided with each pack of brushes. Do not fit the brush springs at this stage.
    - xi. Pull each brush up to the top of the holder using the shunt wire to retain it in this position for the next stage.
    - xii. Enter the assembly into the main frame taking care to avoid contact between the brushes and the commutator of the armature, that the shield wall end is correctly aligned with the main frame and that no leads are trapped. There is a depressed pattern on the shield wall end and on the main frame to assist alignment. Both the bearing fit and the main frame fit are 'light contact' and may require lightly tapping into position using a soft mallet. DO NOT FORCE.
    - xiii. Replace and tighten the four countersunk Screws Ref.31.
    - xiv. Remove the four brush block retaining Screws Ref.31 and the single timing Screw Ref.34 from the Shield-Wall End Ref.30. The brush block assembly is now free to rotate. To fit the brush springs rotate the brush block assembly counter clockwise (over towards the rear of the machine) until the lower brush holder is accessible, fit the brush spring by inserting into the holder with the coil spring over the brush then push down until the tag comes into contact with the holder, slide the tag away from the brush and release. The brush spring will clip into position. Check the spring and brush for correct alignment and free movement.
    - xv. Rotate the brush block assembly clockwise and repeat to fit the remaining three springs. The switch and field cables restrict the movement of the brush block assembly, take care not to loosen or damage these cables.
    - xvi. Return the brush block assembly to its original position and align the timing notch in the block with the timing hole, screw the timing Screw Ref.34 into position.
    - xvii. Secure the brush block assembly using the remaining four screws Ref.34. DO NOT OVERTIGHTEN.
    - xviii. Finally check that all cables are well clear of moving parts before refitting the guard wall and securing with the 3 Screws Ref.82..
- Note: To inspect and replace the motor brushes while retaining the brush block assembly in place repeat the procedure xiv. to xviii. above.

## Electrical Testing



**CAUTION** - testing for electrical safety should be undertaken by a competent person and all results recorded. Do not exceed 1250 volt insulation test duration of 3 seconds.

1. Examine the power cable and handle cable for damage, if the outer insulation shows more than the slightest of abrasions or the inner conductors are exposed then the cable must be replaced. The cables must not be repaired with tape or insulation sleeve.
2. Open and check mains plug and interconnecting socket Ref.24 for condition, loose connections, damaged wires etc. Ensure that the strain relief of the power cable plug is correctly secured to the outer cable insulation.
3. Open and examine the Switch Housing Ref.11 for loose connections, damaged wires, and general condition. Pay special attention to any gaskets, 'O' rings and seals intended to exclude dust from the switch and switch housing area, these must be maintained in good condition.
4. Ensure that the Strain Relief Ref.5 is correctly secured to the outer cable insulation.

Note: HT8-1.2 Floor Sanders manufactured from October 1993 starting with Serial Number 00532 (110/120V) and 00779 (220/240V) feature a fully protected circuit breaker which incorporates 'Low Volt

Protection'. This means that should the mains supply be interrupted during use the switch will immediately return to the 'OFF' position to protect the operator. This feature, by preventing a circuit through the switch unless mains voltage is present, also prevents a full insulation (flash) test unless the test instrument has 'test on run' facility.

If your instrument has this facility then:- replace the switch cover 'A' taking care to avoid trapping leads and ensuring that all dust gaskets are correctly positioned. Check that the circuit breaker 'ON' button does not lock in the 'ON' position when depressed. The button must only lock 'ON' when current is present. Before carrying out test ensure that the motor is connected by the twist lock socket Ref. 24 and that all safety measures have been taken.

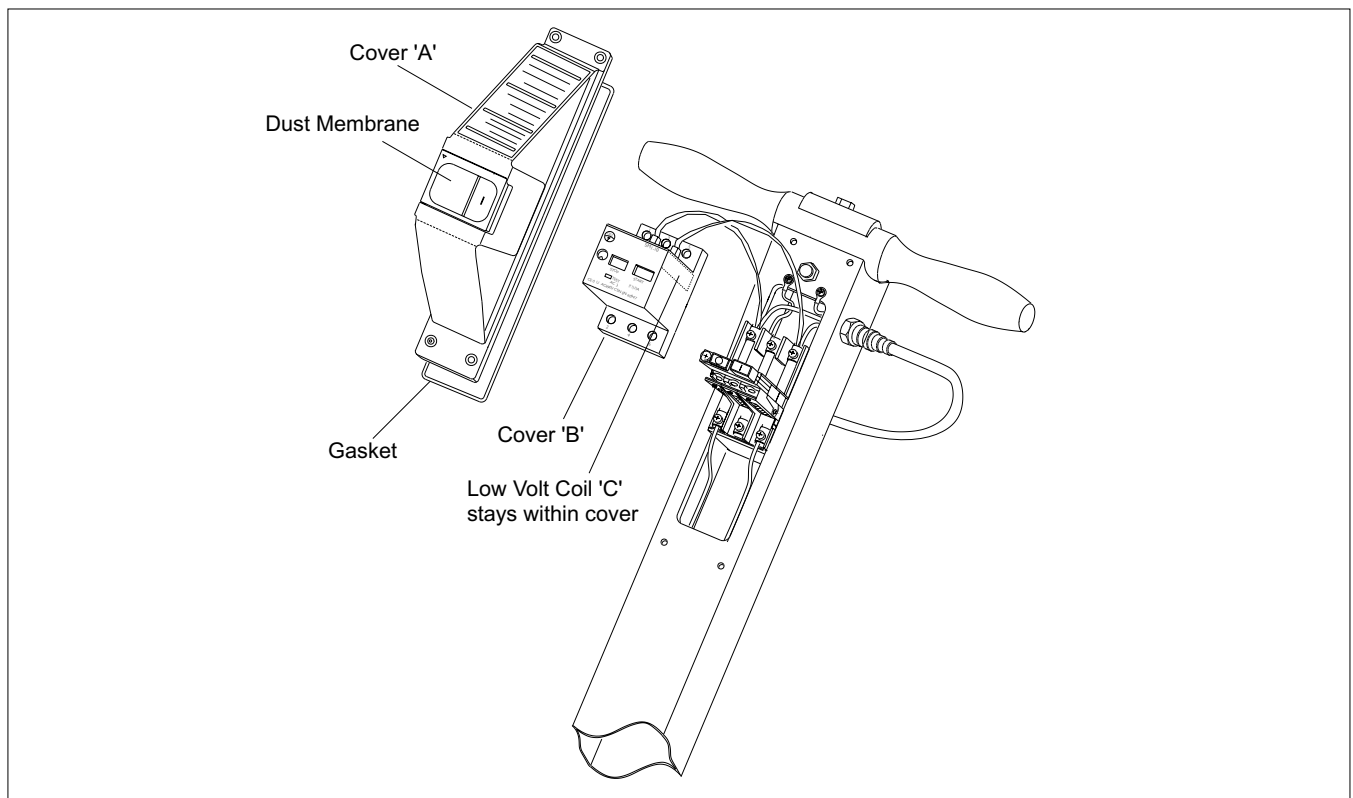
(Class 1 Earthed Appliance [U.K.] ) Carry out 'test on run' procedure.

If your instrument does not have 'test on run' facility then Continue as follows:-

5. While you have the switch housing open for visual inspection remove the circuit breaker cover 'B' together with the 'low volt coil 'C'(see below). Do not disconnect or disturb any cables. The 'low volt coils will remain within the cover 'B'.

The circuit breaker will now lock into the 'ON' position without current present. Before carrying out an insulation (flash) test ensure that the motor is connected by the twist lock socket Ref. 24 and that all safety measures have been taken.

### HT8-1.2 Low Voltage Switch.



6. Using standard procedure test for electrical safety (Class 1 Earthed Appliance [U.K.] ). Do not exceed 1250 volt flash duration of 3 seconds.
7. Record the test results.
8. Complete a functional (run) test and record results.



*CAUTION - when undertaking a functional test ensure that the machine is secure, remember the sanding drum will rotate, ensure that the drum cannot come into contact with the work bench/service area.*

9. After carrying out the tests disconnect the machine from the test station and snap the 'Low Volt Coil' 'C' back into position and replace cover 'B'.
10. Replace the switch cover 'A' taking care to avoid trapping leads and ensuring that all dust gaskets are correctly positioned. Check that the circuit breaker 'ON' button does not lock in the 'ON' position when depressed. The button must only lock 'ON' when current is present.
11. Finally test the machine once again to ensure good earth and insulation of the mains cable and switch. Do not exceed 1250 volt flash duration of 3 seconds.

### **Sanding Drum.**

1. Check that power supply is disconnected. Tilt the machine back and rest the handle on the floor. Open the drum guard and examine the drum cover. A damaged or worn cover must be replaced to maintain machine performance. A damaged or worn cover can result in poor sanding with subsequent damage to the floor surface and can be dangerous in operation. A cover that is worn to 1/4" (6mm) or less in thickness must be replaced.
2. To replace the drum cover see the detailed instructions included in each genuine Floor Team® Drum Cover Kit Ref.167 Part # 162312. The use of an impact screwdriver may assist.
3. It is recommended that at each service interval the drum cover is checked and trimmed (dressed) if necessary to provide a true uniform diameter.
4. First check that the rear castors are properly adjusted. Remove the 4 Screws Ref.83 and the Belt Guard Ref.81. Check that the factory mark is present and aligned on the rear castor adjuster Ref.64 and main frame. Adjust as necessary by loosening the two clamp Bolts Ref.65 and adjusting the cam.

If the machine has no factory mark on the adjuster and main frame then it is a later type machine that uses a concentric support instead of an adjuster. No adjustment is required.

Note: On earlier models the line stamped on the adjuster and main frame has been set in the factory at the time of manufacture. Never change, deface or alter this line.

5. Fit a sheet of fine grit abrasive paper (120 grit), abrasive side up on to a level floor surface. Remove any abrasive paper from the drum and re-tighten the clamp bar screws. Make sure the clamp bar screws are tight.

Position the floor sander over the abrasive paper and connect the power cable to the power supply. Tip the floor sander back to raise the sanding drum off the floor and switch on.

Gently lower the floor sander so the sanding drum 'just' touches the abrasive paper. Hold the sander in position for a few seconds then tip back and switch off.

Disconnect the power cable and tip the floor sander back so that it rests on it's handle. Lift the drum guard and check the condition of the drum cover. If it is uniform an even surface will be witnessed, if not, continue to dress the drum until all high and low spots are removed. Take care not to remove too much material as this will reduce the life of the drum cover.

6. When a uniform surface is achieved it is advisable to slightly 'feather' both edges of the drum cover. Switch off and disconnect the power cable from the power supply. Tilt the machine back and lift the drum guard to expose the drum cover. Using a medium to fine grit abrasive paper carefully feather the edge of both sides of the drum cover by holding the abrasive paper against the edge and rotating the drum. Be careful not to trap your fingers. The softer edge provided will help prevent 'cut' lines witnessed on the floor surface when sanding particularly in softer woods. Always feather the edges of a new drum cover.

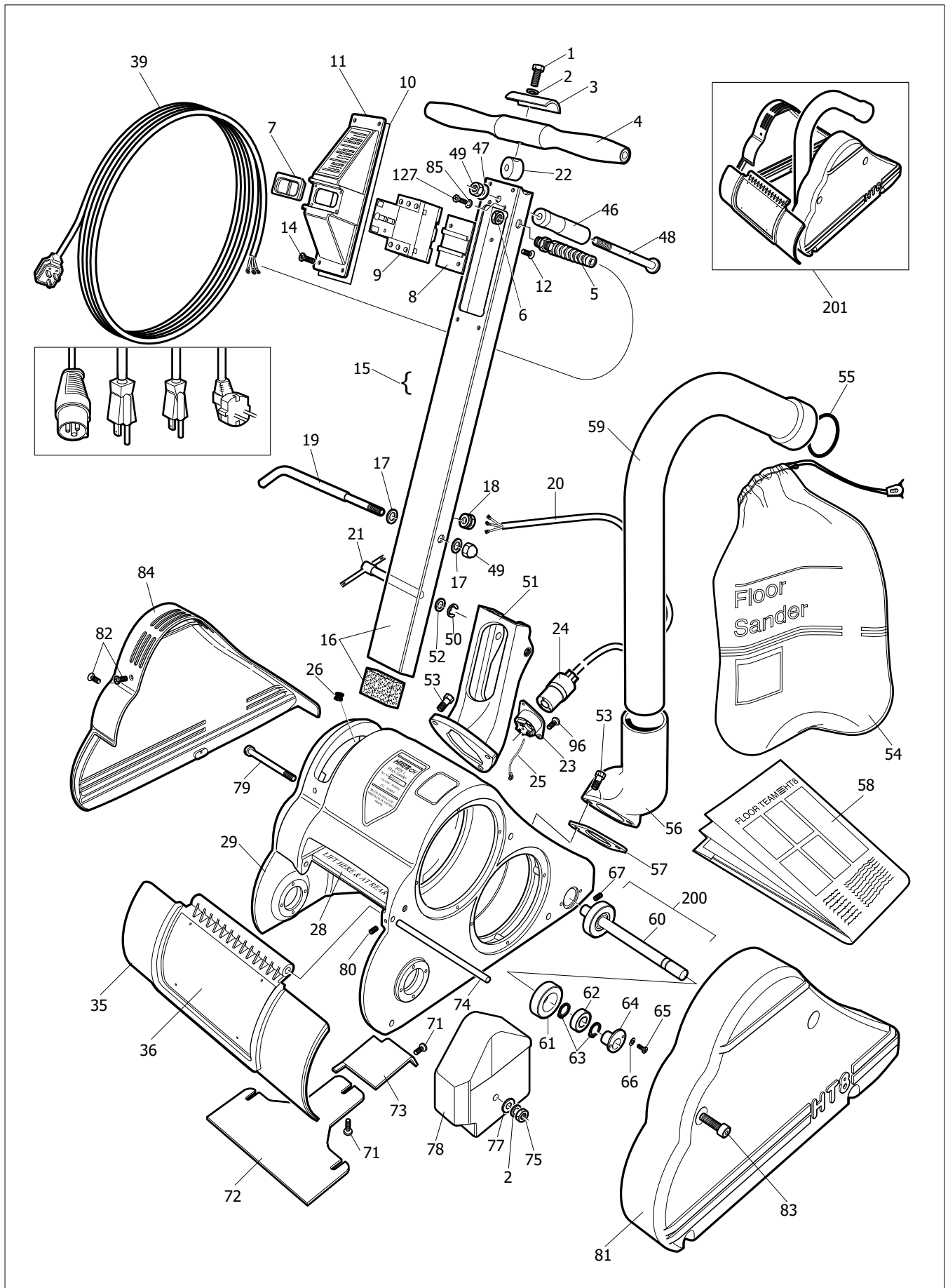


*WARNING - the sanding drum and drum cover must be correctly adjusted and maintained to ensure the best sanding performance. Failure to do so can result in damage to the floor surface and can be dangerous.*

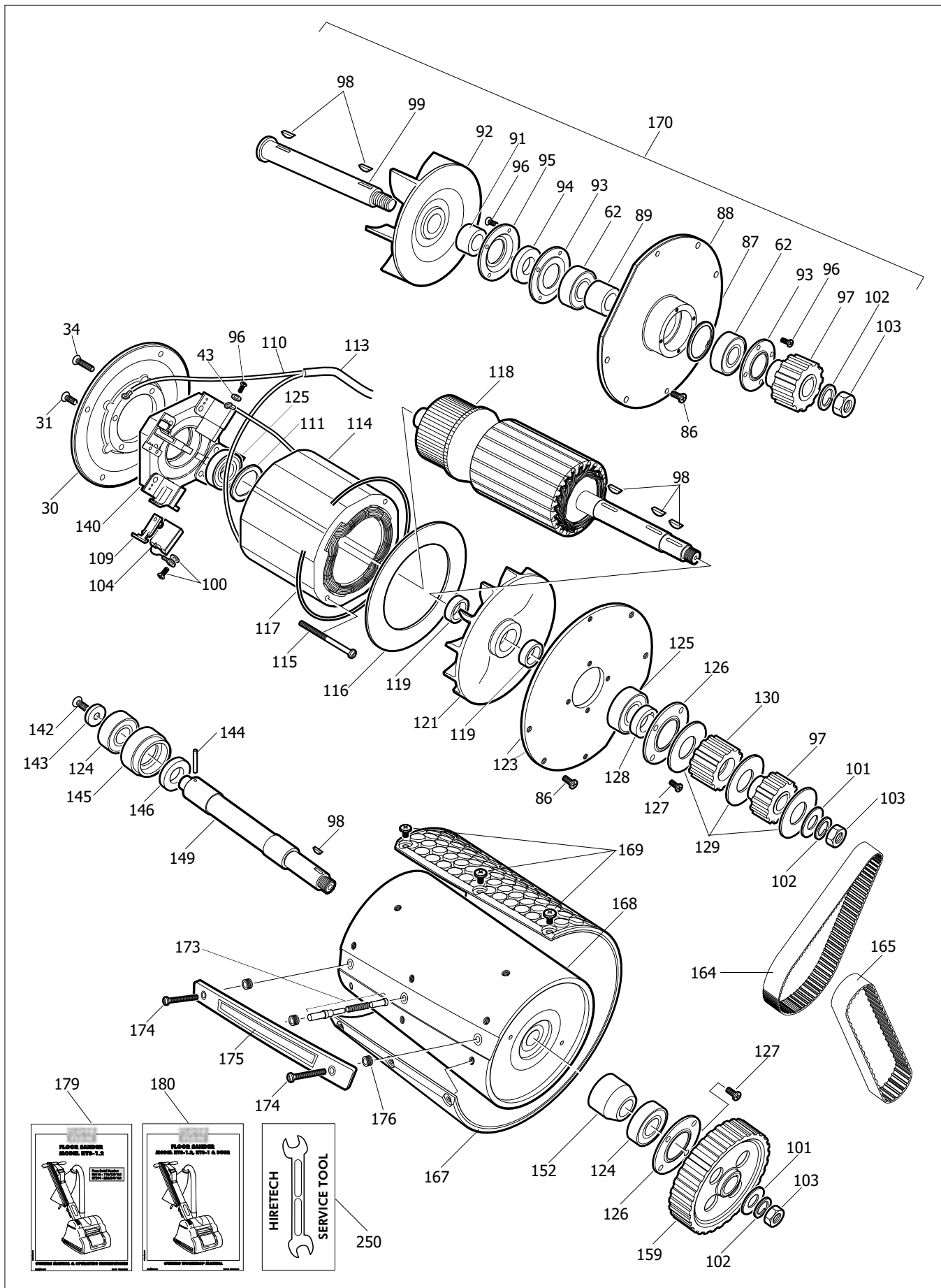
## FAULT FINDING

FAULT	CAUSE	ACTION
The machine does not run.	<p>The power cable is not connected to the power supply.</p> <p>The overload protection has been activated.</p> <p>The motor brushes are worn.</p> <p>The voltage is too low.</p>	<p>Connect the power cable to the power supply.</p> <p>Allow to cool, switch on.</p> <p>Replace the motor brushes.</p> <p>Check main power supply complies with the machine serial plate data.</p>
The overload protection activates frequently.	<p>The drum motor is stopped.</p> <p>A bearing has failed.</p> <p>The voltage is too low.</p> <p>The pressure on the sanding drum is too high.</p> <p>The sanding drum will not rotate.</p>	<p>Contact an authorised repair agent.</p> <p>Contact an authorised repair agent.</p> <p>Check the main power supply complies with the machine's serial plate data.</p> <p>Fit a finer grit abrasive paper, make sure the voltage is correct.</p> <p>Disconnect from the power and check the sanding drum for obstruction. If overload still operates contact an authorised repair agent.</p>
The machine will not pick-up dust.	<p>The dust bag is full.</p> <p>The dust shoe is out of adjustment.</p> <p>There is an obstruction in dust pickup.</p> <p>The fan belt has broken.</p>	<p>Replace the dust bag.</p> <p>Adjust the dust shoe.</p> <p>Remove the dust shoe and check for obstruction. Clear as necessary.</p> <p>Replace the fan belt.</p>
The machine does not sand evenly.	<p>The drum cover is not round.</p> <p>The Floor Roller assembly (adjustable type) is out of adjustment.</p> <p>The Floor Roller assembly is worn or damaged.</p>	<p>Redress or replace the drum cover.</p> <p>Adjust the Floor Roller assembly see page 11.4</p> <p>Repair/replace the Floor Roller Assembly.</p>
The sanding drum will not rotate.	<p>The machine is not being operated properly.</p> <p>The drum belt is broken.</p> <p>The drum bearing has failed.</p> <p>The shear pin Ref.144 has operated.</p> <p>There is an obstruction.</p>	<p>Read 'Operation' section of this manual.</p> <p>Replace the drum belt.</p> <p>Contact an authorised repair agent.</p> <p>Contact an authorised repair agent.</p> <p>Disconnect from power supply and clear the obstruction.</p>

# FLOOR SANDER MODEL HT8-1.2



# FLOOR SANDER MODEL HT8-1.2

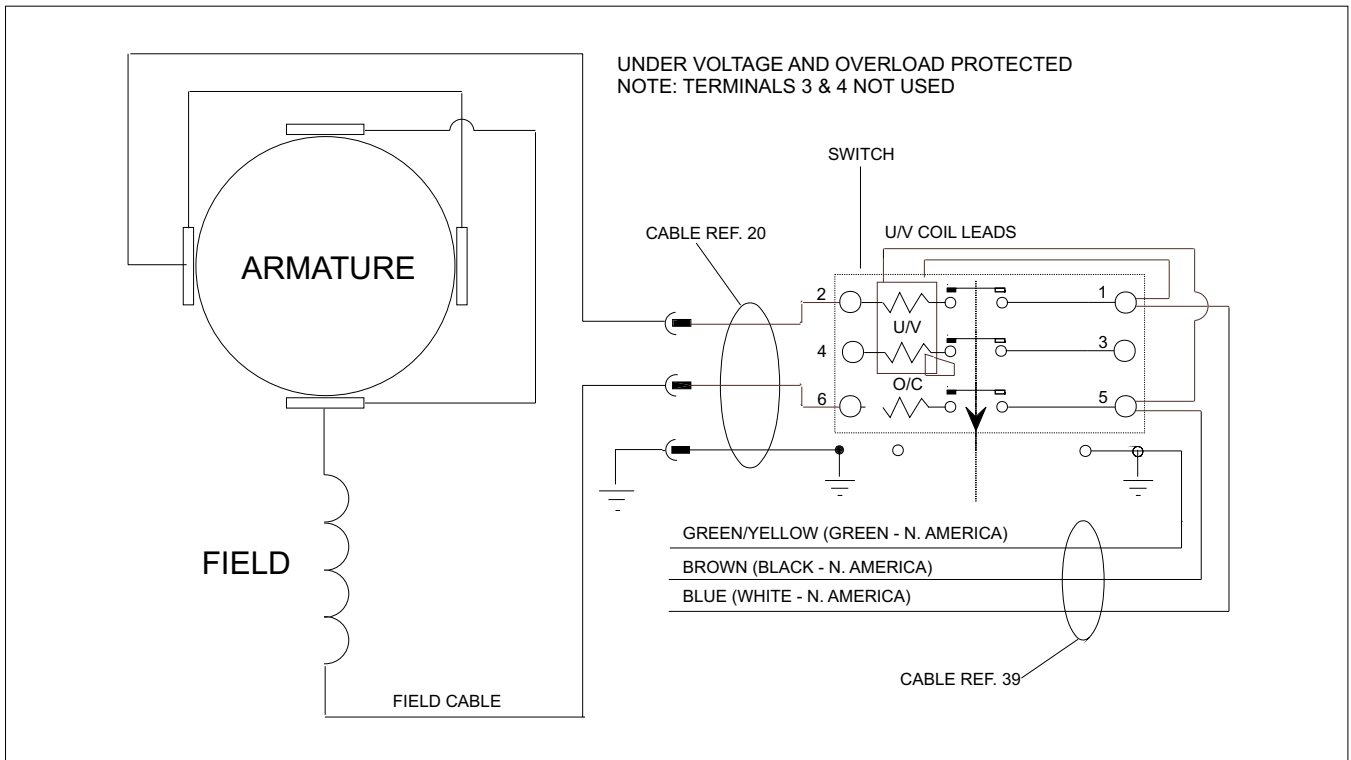


## HT8-1.2 PARTS LIST

Ref.	PSTK	Pack Qty.	Description	Ref.	PSTK	Pack Qty.	Description
1	962308	1	Screw	55	163826	6	Retainer Dust Bag Disposable
2	980652	2	Washer	56	160809	1	Bracket Exhaust
3	162019	1	Clamp Handle	57	163403	1	Gasket Exhaust
4	163907	1	Handle Cross	58	07037	25	Disposable Paper Dust Bag HT8 Pack 2
5	101205	1	Strain Relief	58	07039	50	Disposable Paper Dust Bag HT8
5	163691	1	Strain Relief (NA)	59	163790	1	Tube Exhaust (Grey)
6	101206	1	Nut Lock	60	167708	1	Shaft Floor Roller
7	163849	1	Dust Cover Kit	61	169704	2	Roller Floor Assembly (with bearing)
8	163837	1	Bracket Switch Mounting	62	902567	4	Bearing (Fan & Floor Roller)
9	163839	1	Switch 110/120V	63	467308	4	Ring Retaining
9	163848	1	Switch 220/240V	64	160504	1	Adjuster Floor Roller
10	163870	1	Gasket Switch Housing	65	962139	2	Bolt
11	163840	1	Cover Switch	66	980646	2	Washer
12	163838	2	Screw	67	962103	1	Screw
14	163871	4	Screw	72	167902	1	Shoe Intake
16	169012	1	Tube Handle	73	163636	1	Cover Inlet
17	980615	2	Washer	74	167404	1	Rod Drum Guard
18	101220	1	Strain Relief Handle Cable	75	920256	1	Nut
18	163804	1	Strain Relief Handle Cable (NA)	77	980629	1	Washer
19	164508	1	Hook Cable	78	169504	1	Weight Balance
20	100337	1	Cable Handle	79	962409	1	Screw
20	163782	1	Cable Handle 110 Volt (UK)	80	962170	1	Screw
20	519510	1	Cable Handle (NA)	81	163791	1	Guard Belt (Grey)
21	960180	1	Clamp Handle Bracket	82	163814	3	Screw
22	960183	1	Bracket Handle Cross	83	163869	4	Screw Guard Belt
23	911045	1	Base Twist Lock	84	163792	1	Guard Wall End (Grey)
24	911046	1	Body Twist Lock	85	980623	2	Washer
25	163867	1	Lead Earth Base Twist Lock	86	962109	8	Screw
26	163808	1	Grommet	87	167312	1	Ring Retaining
28	165103	1	Label 'Lift Here & At Rear' (Metal)	88	164202	1	Housing Fan
29	163201	1	Main Frame	89	168203	1	Spacer Fan Bearing
30	167804	1	Shield Wall End	90	163813	2	Screw
31	962084	4	Screw	91	008212	1	Spacer Fan
34	962204	5	Screw	92	163004	1	Fan Intake
35	163795	1	Guard Drum Assembly (Grey)	93	162021	2	Clamp Bearing
36	121252	1	Label Guard Drum	94	167608	1	Seal fan
39	163683	1	Cable Main Assembly 220 Volt (EEC)	95	167210	1	Retainer Seal
39	163684	1	Cable Main Assembly 240 Volt((AUS)	96	010210	4	Screw
39	163685	1	Cable Main Assembly 110 Volt (UK)	97	166906	2	Pulley Fan
39	519501	1	Cable Main Assembly 110 Volt (NA)	98	915028	6	Key
39	908285	1	Cable Main Assembly 240 Volt (UK)	99	167704	1	Shaft Fan
43	010200	4	Washer	100	010220	4	Screw and Washer Set
44	163643	4	Screw	101	980648	2	Washer
46	163906	1	Handle Single Grip	102	980626	3	Washer Lock
47	980197	1	Washer	103	920132	3	Nut
48	962402	1	Bolt (including nut)	104	010180	4	Brush Motor
49	920148	1	Nut	105	962003	4	Screw
50	167308	1	Ring Retaining	109	020230	4	Spring Brush
51	160815	1	Bracket Handle	110	911662	1	Lead Motor Assembly
52	980196	1	Washer	111	167302	1	Ring Retaining
53	962244	5	Bolt	113	168104	1	Sleeve
54	163796	1	Bag Dust Cloth	114	163104	1	Field 110/120 Volt HT8
55	163823	1	Retainer Dust Bag Disposable	114	163112	1	Field 220/240 Volt HT8

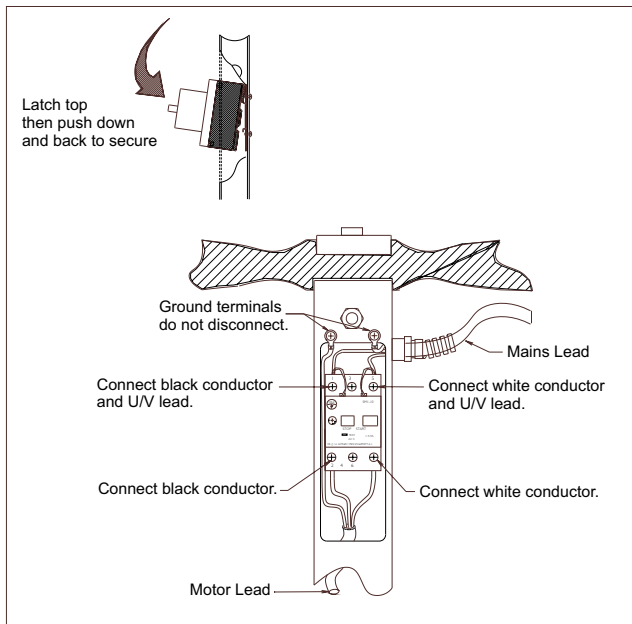


## HT8-1.2 CIRCUIT DIAGRAM

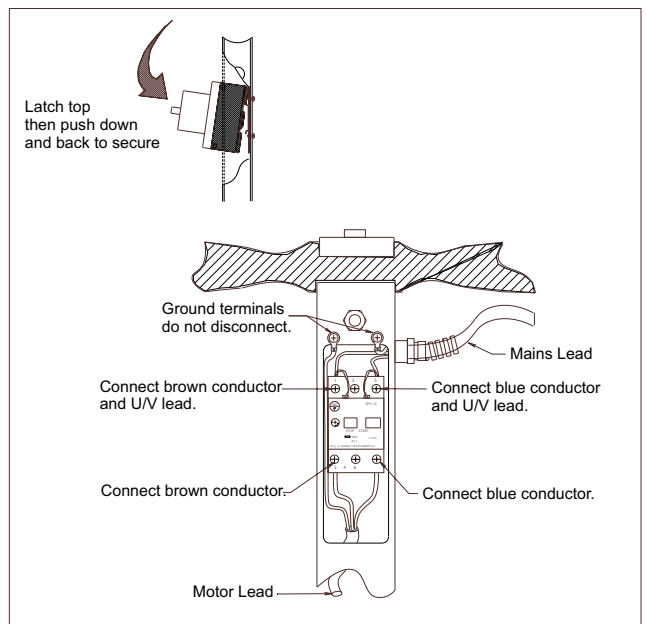


## FITTING A REPLACEMENT SWITCH

### INSTRUCTION FOR NORTH AMERICA



### INSTRUCTION FOR EEC, AUS, NZ



## DECLARATION OF CONFORMITY

This declaration identifies the product, manufacturer's name and address, and applicable specifications recognised in the European community.

### DECLARATION OF CONFORMITY



**Manufacturer's Name:** Hire Technicians Group Ltd.

**Manufacturer's Address:** Chalk Hill House  
8 Chalk Hill  
Watford  
Herts WD1 4BH

**declares that the product:**

**Product Name:** Floor Team Floor Sander

**Model Name:** HT8-1.2 230 Volt 50Hz Insulation Class 1  
HT8-1.2 110 Volt 50Hz Insulation Class 1

**conforms to the following:**

Machinery Directive (Harmonised)	89/392-EU as amended
Low Voltage Directive (Harmonised)	73/23/EU as amended
Electromagnetic Compatibility Directive	89/336/EU as amended

**following the provisions of the directives:**

89/392/EU, 93/44EU, 73/23/EU, 93/68/EU/89/336/EU, 91/368/EU,  
92/31/EU

EN60 335-1-88 (HD 251-1-3) BS 3456-201	EN292-1-91
EN292-2-91	EN60204-1-92
EN55014-93 (BS 800)	EN 50082-1-92
IEC 745-2-4 (HD 400.2) (BS 2769-2-2.4)	

**electrical safety test procedures comply with:**

IEC 335 pt. 1-2, HD251 1-3 1982, BS 2769 & 3456, CSA C22.2,  
KEMA K78A1/W1 & W3, NEMKO 503./89, DIN VDE 0700 1/04.88  
HD 264.S2 15/07.86

Where the product is licensed to carry a National Approval Mark it is certified that all such products comply with the terms of that license.

C.J. Hedger, Director of Engineering. 1 July 2003

## SERVICE & REPAIR

Contact your reseller for the name of your local service agent. Service and repairs undertaken by non-approved service agents will void the product warranty.

If you should have difficulty in obtaining service please contact your distributor nearest to you at the address given below.

<b>Hiretech Pty Ltd</b>	11 Government House Drive Emu Plains NSW 2750 <b>AUSTRALIA</b>	Tel: +61 247 356688 Fax: +61 247 356682 Email: enquires@hiretech.com.au Web: www.hiretech.com.au
<b>Devomat Industries N.V.</b>	'FL. Geversstraat 31 B-2650 Edegem <b>BELGIUM</b>	Tel: +32 3 457 94 24 Fax: +32 3 457 49 24 Email: info@devomat.be Web: www.devomat.be
<b>Deltaquip Supplies Ltd</b>	2282 Alpha Avenue Burnaby B.C. V5C 5L6 <b>CANADA</b>	Tel: +1 604 298 0566 Fax: +1 604298 8996 Email: - Web: -
<b>VIF Diffusion</b>	rue du Chateau-BP70112 59052 Roubaix Cedex 1 <b>FRANCE</b>	Tel: +33 320 207880 Fax: +33 320 207889 Email: infos@vif-furniture.com Web: -
<b>Tool Matic A/S</b>	Vedskollevej Herfolge 4681 <b>DENMARK</b>	Tel: +45 56250708 Fax: +45 56250705 Email: sales@tool-matic.dk Web: www.tool-matic.dk
<b>Kage Enterprises</b>	73 New Road Clondalkin Dublin 22 <b>REPUBLIC OF IRELAND</b>	Tel: +353 1 459 2454 Fax: +353 1 459 2535 Email: - Web: -
<b>Turner Morris (Pty) Ltd</b>	39 Robyn Road Benrose P.O. Box 27252 2011 <b>SOUTH AFRICA</b>	Tel: +27 11 618 4313 Fax: +27 11 618 2620 Email: dbnsales@turnermorris.co.za ctsales@turnermorris.co.za Web: www.turnermorris.co.za
<b>Hire Technicians Group Ltd</b>	Chalk Hill House 8 Chalk Hill Watford Herts WD19 4BH <b>UNITED KINGDOM</b>	Tel: +44 01923 332424 Fax: +44 01923 332425 Email: sales@hiretech.co.uk Web: www.hiretech.biz
<b>Hiretech Inc</b>	661 Route 3 Unit A Plattsburgh NY 12901 <b>USA</b>	Tel: +1 518 562 3272 Fax: +1 518 562 3279 Email: salesna@hiretech.co.uk Web: www.hiretech.biz

## **HIRETECH® LIMITED WARRANTY**

Hiretech® warrants to the original purchaser that the Hiretech® machine covered by this warranty is free from defects in workmanship and materials. Should any part fail in the period of two years from the date of the original purchase as a result of a defect, Hiretech® will (at its option) either repair or replace the part without charge provided that the machine has been operated in accordance with the Owners Manual and Operating Instructions.

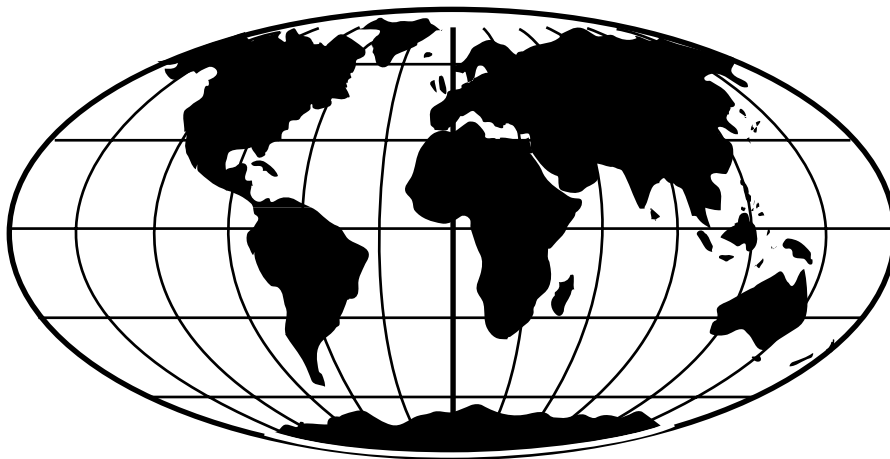
Should any such defect arise, please contact your nearest authorised repair agent. Standard service over land mainland freight costs will be refunded on warranty repairs at the sole discretion of Hiretech or the authorised repair agent. If the repair is non-warranty, the customer will be advised before any work is undertaken.

This warranty is the sole warranty by Hiretech® and is in lieu of all other warranties express or implied and releases Hiretech® from all other obligations and liabilities.

This warranty does not apply to normal wear and tear to the machine, and in particular does not cover normal wear parts such as mains cable, wheels, switches, relays, brushes, rubber parts, hoses and bearings. This warranty also does not cover, and Hiretech® will not be liable for, excessive wear caused by abnormal use.

Hiretech® will under no circumstances be liable for alterations to the machine or for damage caused by third persons, or for misuse or abuse of the machine, or damage caused during transportation. Repairs of the machine made or attempted by persons other than those specifically authorised by Hiretech® shall render this warranty void and Hiretech® will not be liable for such repairs, the cost of such repairs, or the consequences of such repairs. Where spare parts are used on the machine and they do not conform to Hiretech® specifications, this warranty will be rendered void and Hiretech® will not be liable.

Hiretech® will not be liable for any indirect or consequential loss, damage, cost or expense of any kind whatever and however caused whether arising under contract, tort (including negligence) or otherwise including (without limitation) loss of production, loss of profits or contracts or of operating time or goodwill or anticipated savings.



MANUFACTURED BY

**HIRE TECHNICIANS GROUP LIMITED**  
**CHALK HILL HOUSE, 8 CHALK HILL, WATFORD,**  
**HERTS, WD19 4BH. UNITED KINGDOM**

**TEL: +44 (0)1923 332424 FAX: +44 (0)1923 332425**  
**E-mail: [sales@hiretech.co.uk](mailto:sales@hiretech.co.uk) Web: [www.hiretech.biz](http://www.hiretech.biz)**